



**JAY R. SMITH MFG. CO.**  
 DIVISION OF SMITH INDUSTRIES, INC.  
 POST OFFICE BOX 3237  
 MONTGOMERY, ALABAMA 36109-0237 (USA)  
 TEL: 334-277-8520 FAX: 334-272-7396 www.jrsmith.com



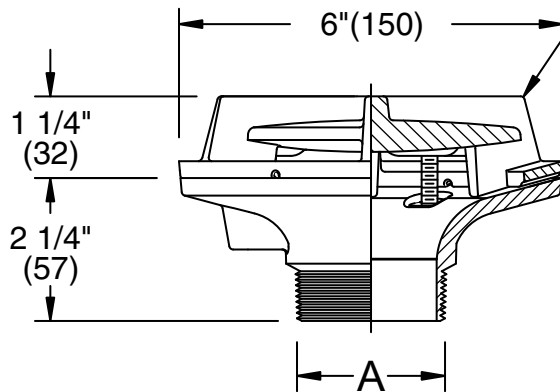
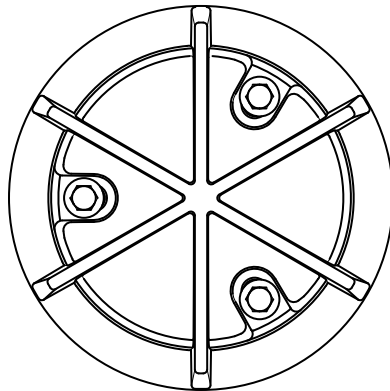
LOCATION

# SIPHONIC GUTTER DRAIN

## 6"(150) DIAMETER - LOW PROFILE GUTTER DRAIN

**FUNCTION:** For use in engineered siphonic roof drainage systems for gutters, parapets, small balconies, sills, cornices, marquees and other small overhanging areas where drainage of rainwater is required. Air baffle creates siphonic drainage action producing more efficient drainage than traditional gutter drains.

**Free Area**  
 5.42 Sq. In.  
 (35) Sq. Cm.



Combination  
Flashing Clamp  
and Air Baffle

Seepage Openings

**NOTES:**

1. Drain shall be installed per local code requirements
2. Dimensions shown in parentheses are in millimeters.

| Performance Data * |                           |                        |
|--------------------|---------------------------|------------------------|
| Size (A)<br>in(mm) | Max Capacity<br>cfs (lps) | Resistance<br>Value, K |
| 02 (50)            | 0.40 (11.3)               | 0.66                   |

A(Pipe Size) = 02(50)



Fig. 1605T ..... MALE THREADED OUTLET  
 Fig. 1605Y ..... NO HUB OUTLET

**REGULARLY FURNISHED:**  
 Duco Cast Iron Body with  
 Combination Flashing Clamp and  
 Air Baffle.

**VARIATIONS:**  
 Vandal Proof -U

**OPTIONAL MATERIALS:**  
 Galvanized Cast Iron -G

\*As tested and certified by ANSI/ASME A112.6.9 "Siphonic Roof Drains" procedures and test apparatus.

DRAWING NUMBER  
S1605

SIZE  
A

SCALE:  
NONE

DATE:  
4-14-06

APPROVED BY:  
CR

CHECKED BY:  
CR

DRAWN BY:  
RN

1605

WE CAN ASSUME NO RESPONSIBILITY FOR USE OF SUPERSEDED OR VOID DATA

DIMENSIONS ARE SUBJECT TO MANUFACTURERS TOLERANCE AND CHANGE WITHOUT NOTICE

|      |         |             |     |         |
|------|---------|-------------|-----|---------|
| A    | 5-10-06 | Added Notes | TBW | CL      |
| REV. | DATE    | DESCRIPTION | BY  | CKD. BY |

|                  |                      |
|------------------|----------------------|
| WEIGHT<br>POUNDS | VOLUME<br>CUBIC FEET |
|                  |                      |

**FIGURE NUMBER**  
**1605**